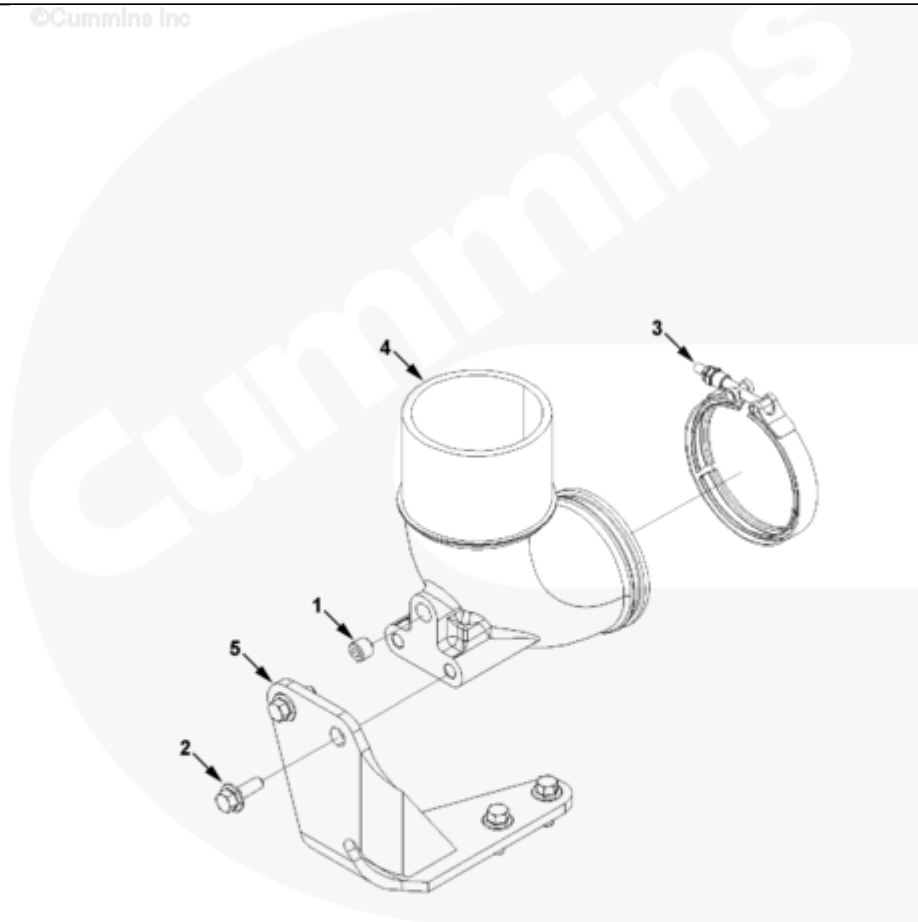




Parts Catalog - Option Detail

Electronic Parts Catalog - Option Detail				
Option	Group	Graphic	Film Card	Date
XS9080-02	11.01.1	xs920ge	Z	25-FEB-98
Engines	6C8.3, C GAS PLUS CM556, G8.3, G8.3 CM558, GTA8.3 CM558, ISC CM2150, ISC CM554, ISC CM850, ISC8.3 CM2250, ISC8.3 G CM2180 C101, ISL CM2150, ISL CM554, ISL CM850, ISL G CM2180, ISL8.9 CM2150 L110, ISL8.9 CM2880 L112, ISL9 CM2150 SN, ISL9 CM2250, ISL9 CM2350 L101, ISL9 CM2350 L111, ISLE4 CM850, L GAS PLUS CM556, L8.9, L8.9 L121, L8.9G CMOH2.0 L125B, L9 CM2350 L116B, L9 CM2350 L119B, L9 CM2350 L120C, L9 CM2350 L123B, L9.3 L105, L9.5 L117, L9N CM2380 L124B, QSC8.3 CM2250, QSC8.3 CM2880 C102, QSC8.3 CM554, QSC8.3 CM850(CM2850), QSL9 CM2250, QSL9 CM2250 L115, QSL9 CM2350 L102, QSL9 CM2350 L107, QSL9 CM2350 L118, QSL9 CM2350 L122, QSL9 CM554, QSL9 CM850(CM2850), QSL9 G CM558, QSL9 M CM2250 L106, QSL9.3 CM2880 L113			



xs920ge

Cart	Ref No	Part Number	Part Description	Required	Remarks
View My Cart					
		XS9080-02	Exhaust Connection		
					Engine Design Phase: Current
					Product
					Engine Family: C Series
					Support Flange Bolt Pattern:
					2-M14 92.50mm apart
					Exhaust Manifold Type: Dry
					Exhaust Pipe Diameter (in.):
					4.00
					Connection Orientation: TBD
					Mounting Flange to Turbo: 4
					Bolt
					Restricted Cylinders: 6
					Maximum Moment Load (in-lbs):
					0
					Turbo Connection: 101.72mm
					Restricted Turbocharger
					Location: HMFO
					Restricted Turbo Model:
					HX40, HX40W, WH1E.
<input type="checkbox"/>	1	S 910 B	Pipe Plug	1	1/4 NPT.
<input type="checkbox"/>	2	3902460	Hexagon Flange Head Cap Screw	4	M10 X 1.50 X 25.
<input type="checkbox"/>	3	3905216	V Band Clamp	1	
<input type="checkbox"/>	4	3910994	Exhaust Outlet Pipe	1	
<input type="checkbox"/>	5	3917923	Exhaust Outlet Connection Brace	1	